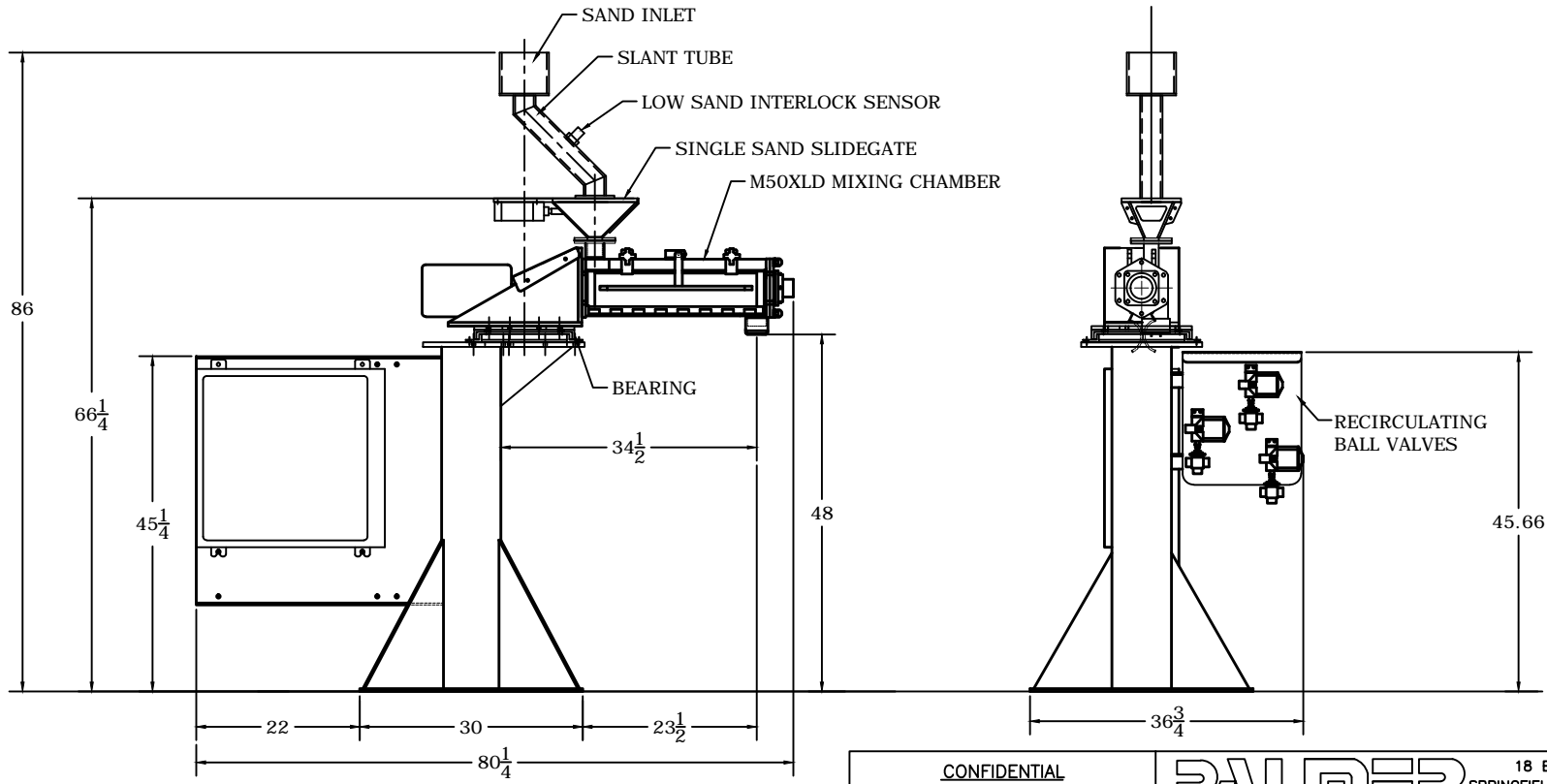


CUSTOMER APPROVAL
 SIGNATURE: _____
 DATE: _____



CONFIDENTIAL		PALMER		18 BECHTLE AVENUE	
THIS DOCUMENT, INCLUDING ALL INFORMATION HEREIN, IS THE EXCLUSIVE AND CONFIDENTIAL PROPERTY OF PALMER MANUFACTURING. THEREFORE THIS DOCUMENT IS NOT TO BE COPIED, REPRODUCED, OR DELIVERED TO OTHERS WITHOUT THE EXPRESS WRITTEN PERMISSION OF PALMER.		MANUFACTURING & SUPPLY, INC.		SPRINGFIELD, OHIO 45504 U.S.A.	
		SCALE: NONE		APPROVED BY: _____	
		DATE: 9/28/09		DRAWN BY: SLW	
TITLE: M50XLD CASR SWIVEL ASSEMBLY					
PREVIOUS DWG. #:		DWG. #:		REV:	
N/A		M11225		B	
NOTE: GENERAL OVERALL LAYOUT					
PG. #: 1 OF 2					