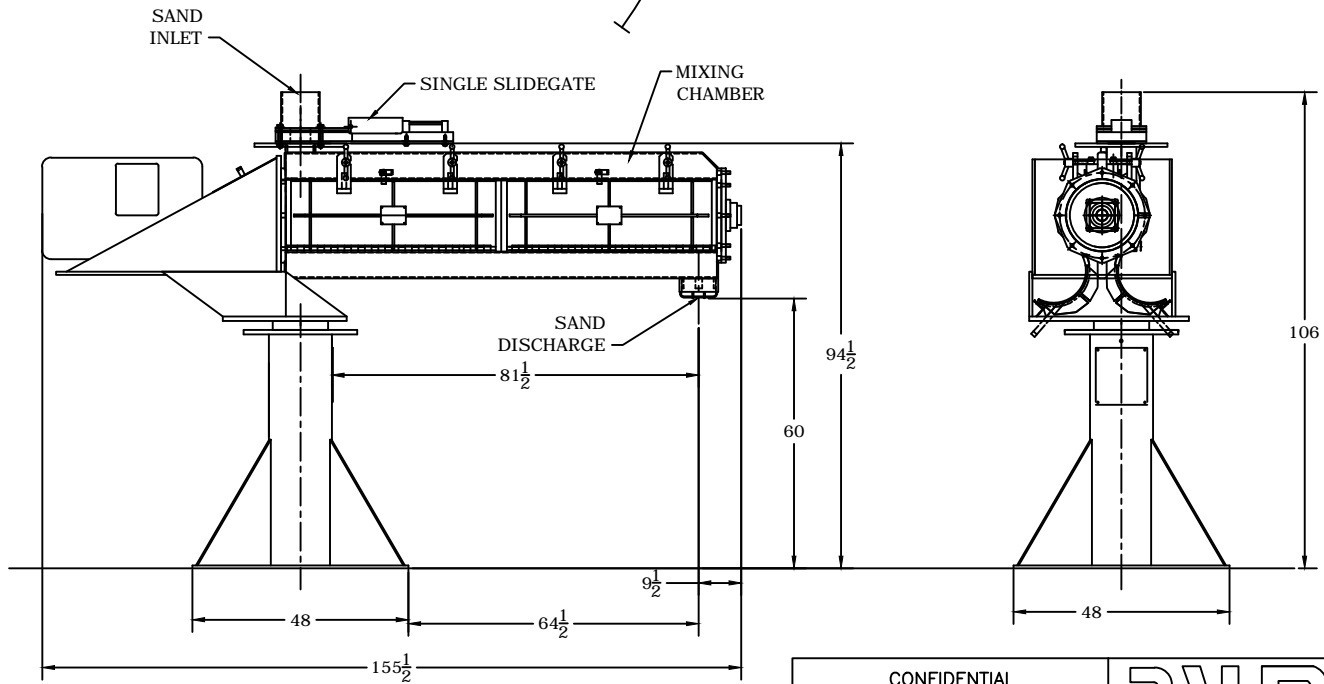


SAMPLE DRAWING
FOR QUOTATION
PURPOSES ONLY



CONFIDENTIAL		PALMER		18 BECHTLE AVENUE SPRINGFIELD, OHIO 45504 U.S.A. (937) 323-6339 OR 1-800-457-5456	
THIS DOCUMENT, INCLUDING ALL INFORMATION HEREIN, IS THE EXCLUSIVE AND CONFIDENTIAL PROPERTY OF PALMER MANUFACTURING. THEREFORE THIS DOCUMENT IS NOT TO BE COPIED, REPRODUCED, OR DELIVERED TO OTHERS WITHOUT THE EXPRESS WRITTEN PERMISSION OF PALMER.		MANUFACTURING & SUPPLY, INC.		SCALE: NONE	
DATE: 6/3/08		APPROVED BY:		DRAWN BY: SLW	
TITLE: M3000XLD UNDER MOTOR SWIVEL MIXER					
PREVIOUS DWG. #:		DWG. #:		REV:	
N/A		M11049		-	
NOTE:					
PG. #: 1 OF 1					